



CUSTOM PRODUCTS & SERVICES INC.

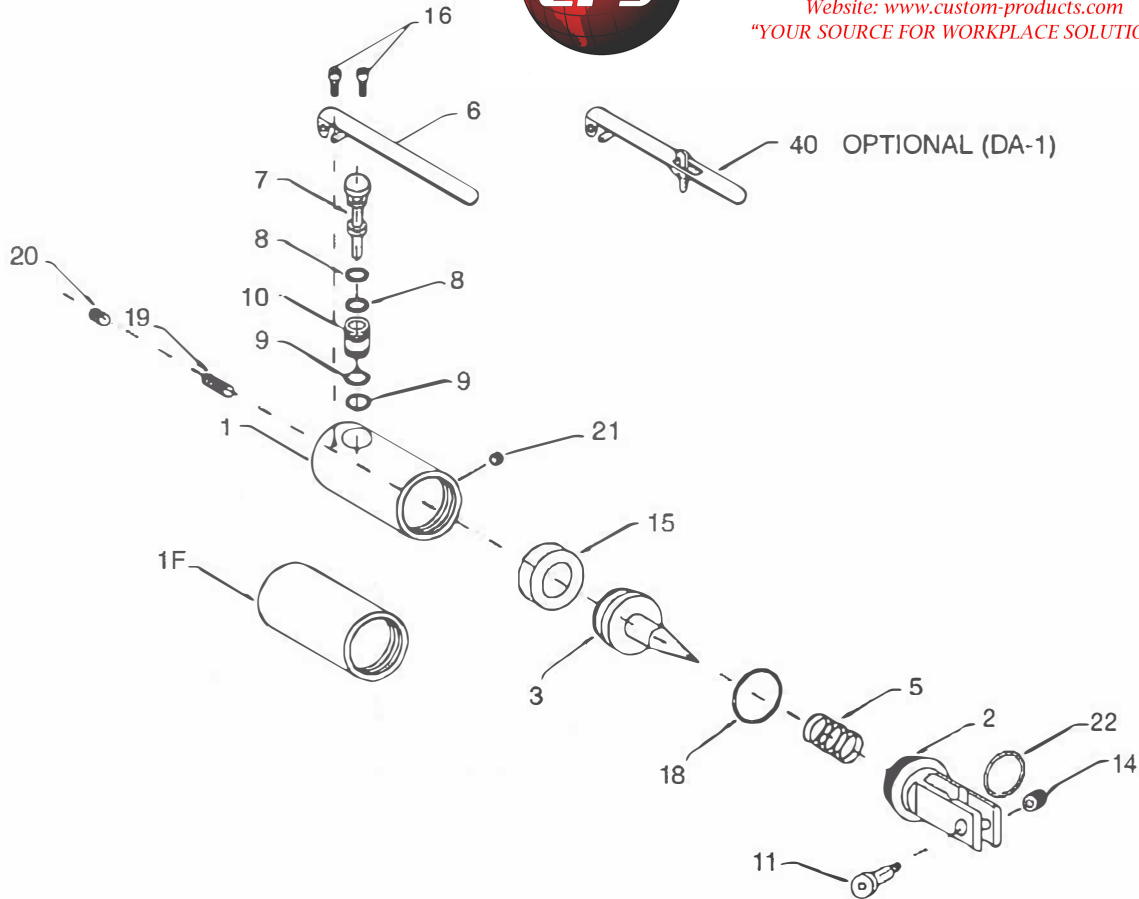
6286 Claude Way E., Inver Grove Heights Mn, 55076

PH: 888-444-1202 (Toll Free) or 651-452-0113 Fax: 651-452-2264

E-MAIL: Info@custom-products.com

Website: www.custom-products.com

"YOUR SOURCE FOR WORKPLACE SOLUTIONS"



PARTS LIST FOR MSP-1, MSP-1F

ITEM	DESCRIPTION	PART#
1	PISTON HOUSING ASSEMBLY	1PP-MSP**
1F	PISTON HOUSING REMOTE	1PPF-MSP*
3	PISTON SHAFT	3-MSP
5	RETURN SPRING	5-MSP
6	LEVER ASSEMBLY	6TL-MSP
7	SPOOL	7A-MSP
8	O-RING (2 REQUIRED)	8-MSP
9	O-RING (2 REQUIRED)	9-MSP
10	VALVE BODY	10A-MSP
11	PIVOT SCREW	11-MSP
14	INSERT NUT	14-MSP
15	PISTON CUP	15-MSP
16	LEVER SCREW	16-MSP
18	BUMPER O-RING	18-MSP
19	ADJUSTMENT SCREW	19-MSP
20	LOCK SCREW	20-MSP
21	BOG SCREW	21-MSP
22	O-RING JAW SPRING	22-MSP
40	DUAL ACTION LEVER (OPTIONAL)	DA-1

* INCLUDES #103 FOOTSWITCH

** INCLUDES LEVER ASS'Y & SCREW #16, 19, 20